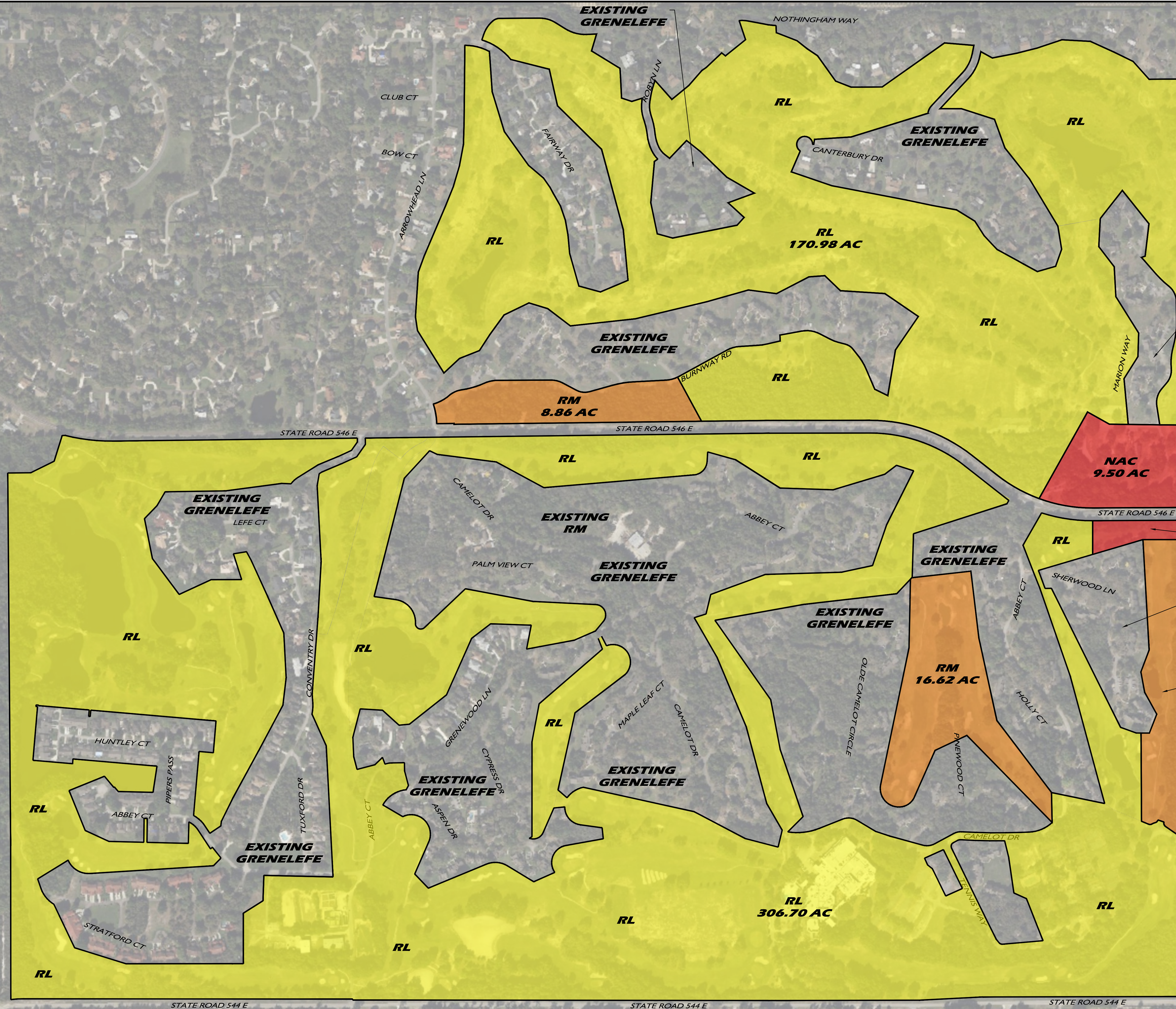
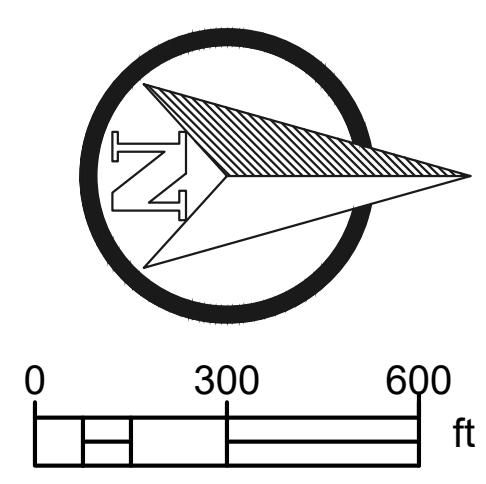


C:\Users\DanielKovacs\Documents\ACTIVE PROJECTS\GREENLEFE\DWG\EXHIBIT\GL - SUBDISTRICT LAND USE MAP - 14.dwg, 9/19/2024 10:33 AM, Daniel Kovacs



APPROVAL STAMP

DESIGNED BY:
LUCAS TALHARO
DRAWN BY:
LUCAS TALHARO
CHECKED BY:
DANIEL KOVACS
SITE PLAN COORDINATE



LEGEND

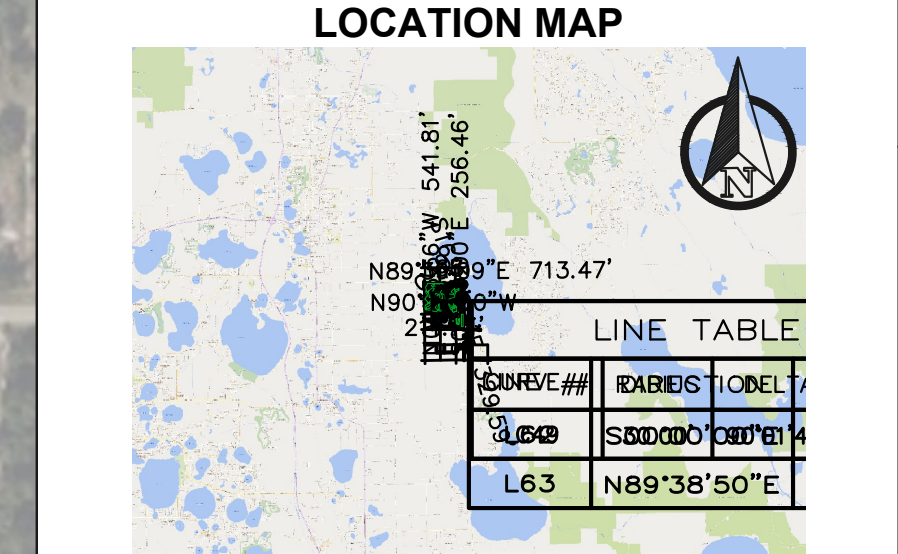
- RL - RESIDENTIAL LOW
- RM - RESIDENTIAL MEDIUM
- NAC - NEIGHBORHOOD ACTIVITY CENTER

BY	NO	DATE	REVISIONS
XX			

NOT CONSIDERED FINAL UNTIL ALL AGENCY APPROVALS ARE OBTAINED.
CONSTRUCTION NOT VALID WITHOUT SEAL.
DANIEL P. KOVACS, P.E. #821188

CURVE TABLE			
STATIONING	CHORD BEARING	CHORD LENGTH	ARC LENGTH
0+00	S44°00'145" W	47.14'	N44°32'44"E 42.44'

LAND USE SUMMARY	
TOTAL ACRAGE	477.68 AC
MAX 4 DU/AC	
SETBACKS:	
FRONT	15'
SIDE	7'
REAR	10'
RM TOTAL ACRAGE	35.83 AC
MAX 7 DU/AC	
SETBACKS:	
FRONT	15'
SIDE	7'
REAR	10'
NAC TOTAL ACRAGE	11.41 AC



CALL 48 HOURS BEFORE YOU DIG
IT'S THE LAW! DIAL 811
SUNSHINE STATE ONE CALL OF FLORIDA, INC.

SUBDISTRICT LAND USE MAP
CONSTRUCTION DOCUMENTS
GREENLEFE
POLK COUNTY, FLORIDA

TRACT ENGINEERING
FROM CONCEPTUAL TO COMPLETION
5137 S LAKELAND DR, SUITE 3
LAKELAND, FL 33813
FIRM REGISTRATION NUMBER: 34343