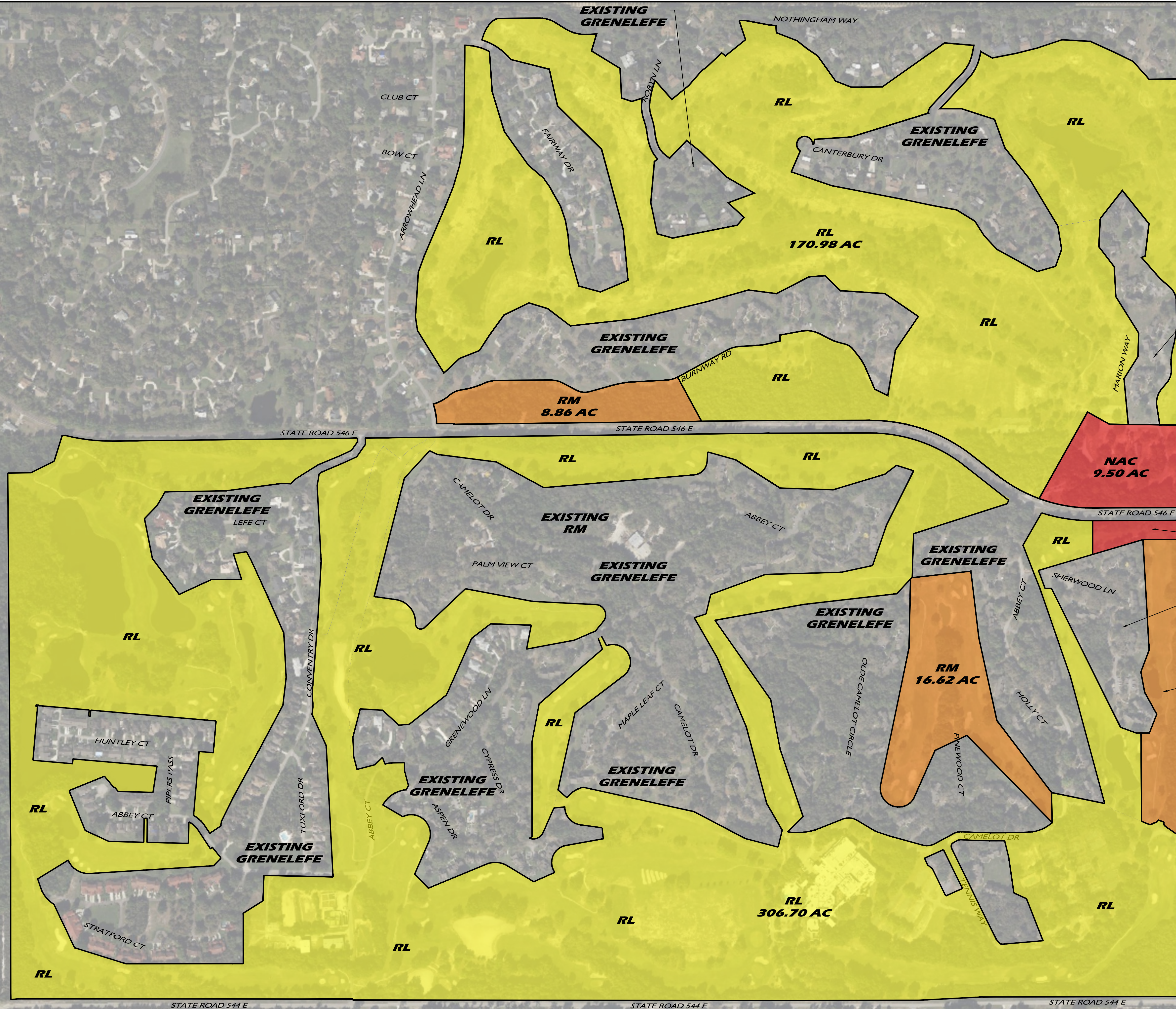
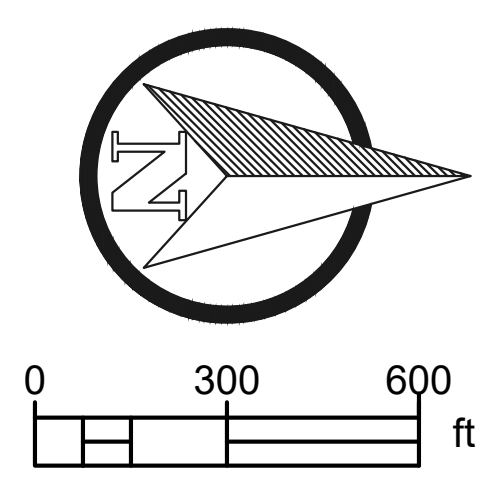


C:\Users\DanielKovacs\Documents\ACTIVE PROJECTS\GREENLEFE\DWG\EXHIBIT\GL - SUBDISTRICT LAND USE MAP - 14.dwg, 9/19/2024 10:33 AM, Daniel Kovacs



**APPROVAL STAMP**

DESIGNED BY:  
LUCAS TALHARO  
DRAWN BY:  
LUCAS TALHARO  
CHECKED BY:  
DANIEL KOVACS  
SITE PLAN COORDINATE



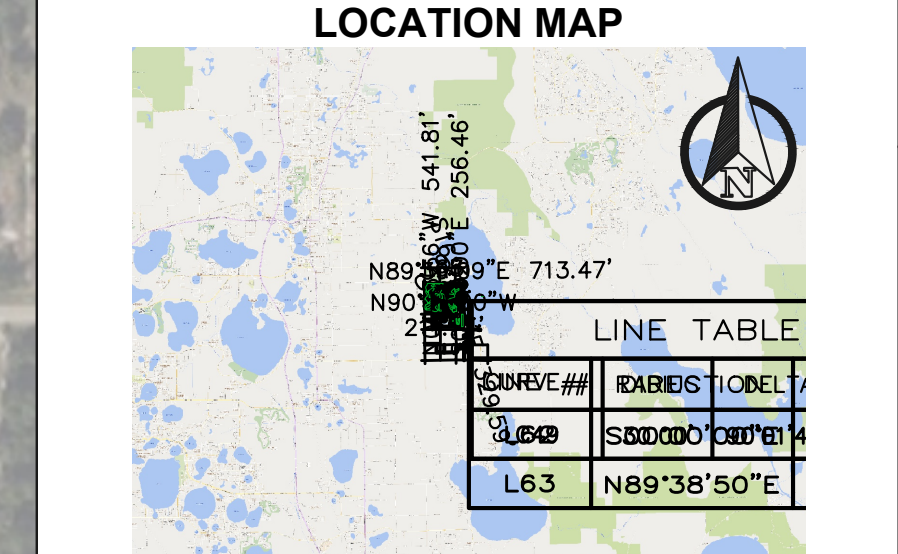
**LEGEND**

- RL - RESIDENTIAL LOW
- RM - RESIDENTIAL MEDIUM
- NAC - NEIGHBORHOOD ACTIVITY CENTER

BY	NO	DATE	REVISIONS
XX			

NOT CONSIDERED FINAL UNTIL ALL AGENCIES  
HAVE REVIEWED AND APPROVED  
CONSTRUCTION NOT VALID WITHOUT SEAL  
DANIEL P. KOVACS, P.E. #821188

CURVE TABLE			
STATIONING	CHORD BEARING	CHORD LENGTH	ARC LENGTH
0+00	S44°00'145" W	47.14'	47.14'
0+47.14	N44°32'44"E	42.44'	42.44'
<b>TOTAL ACRES 477.68 AC</b>			
<b>MAX 4 DU/AC</b>			
<b>SETBACKS:</b>			
FRONT	15'		
SIDE	7'		
REAR	10'		
<b>RM TOTAL ACRES 35.83 AC</b>			
<b>MAX 7 DU/AC</b>			
<b>SETBACKS:</b>			
FRONT	15'		
SIDE	7'		
REAR	10'		
<b>NAC TOTAL ACRES 11.41 AC</b>			



CALL 48 HOURS BEFORE YOU DIG  
IT'S THE LAW! DIAL 811  
SUNSHINE STATE ONE CALL OF FLORIDA, INC.

**SUBDISTRICT LAND USE MAP**  
CONSTRUCTION DOCUMENTS  
GREENLEFE  
POLK COUNTY, FLORIDA

**TRACT ENGINEERING**  
FROM CONCEPTUAL TO COMPLETION  
5137 S LAKELAND DR, SUITE 3  
LAKELAND, FL 33813  
FIRM REGISTRATION NUMBER: 34343